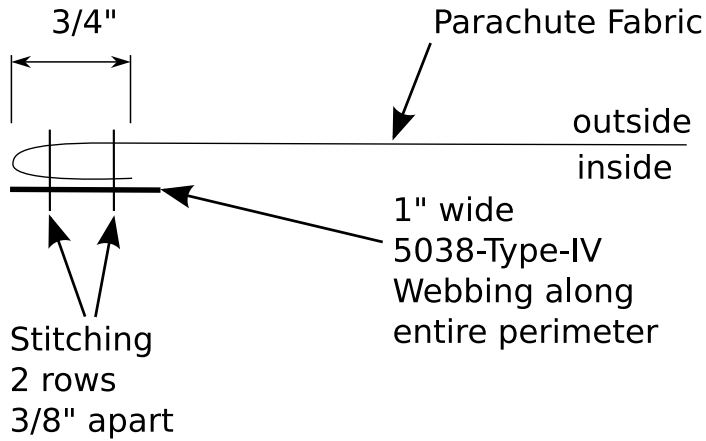
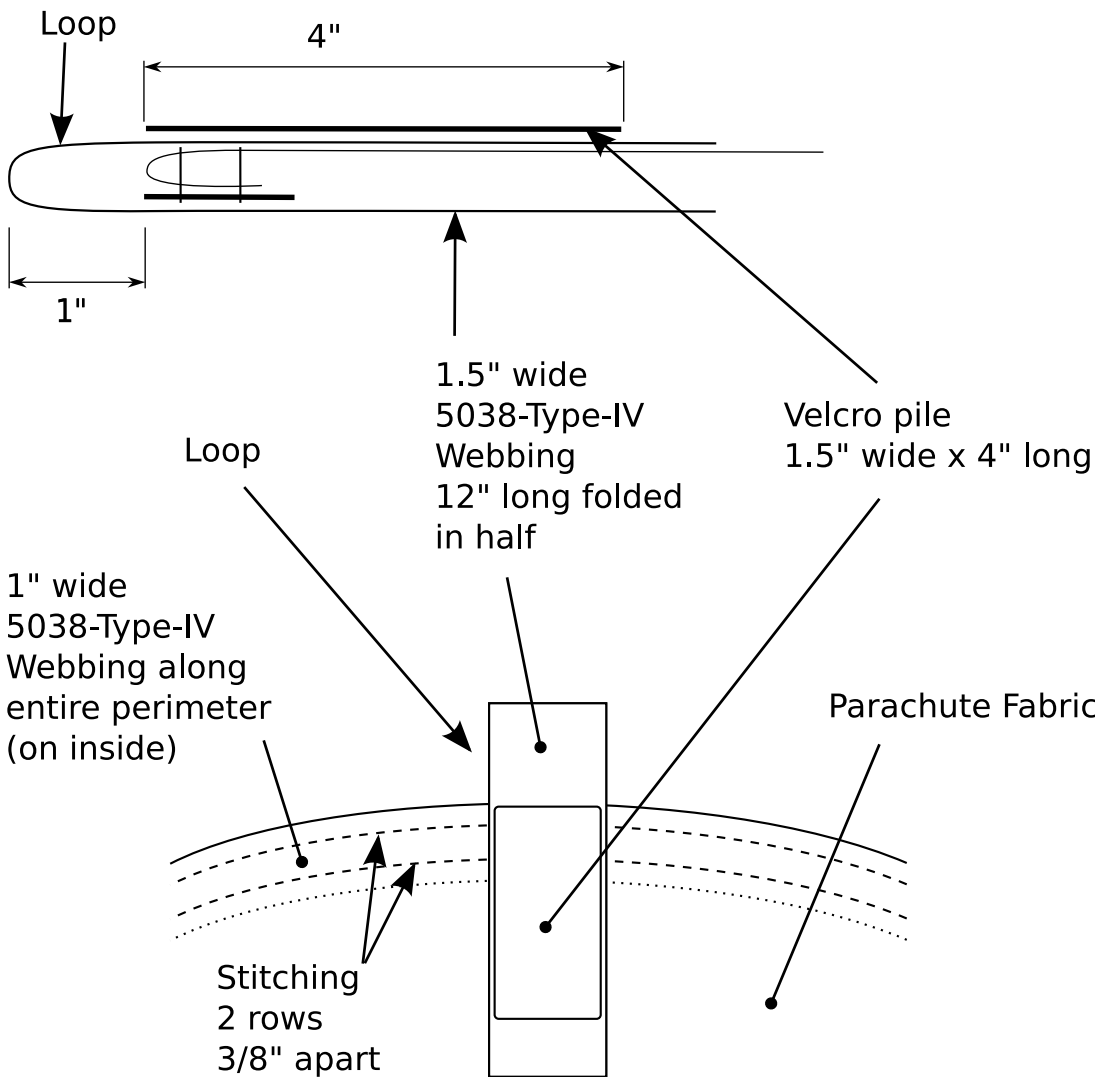


# XLTA Open Content Balloon Plans

## Detail of Parachute Edge (not to scale)



Step 1  
(side view)



Step 2  
(side view)

Step 2  
(outside view)